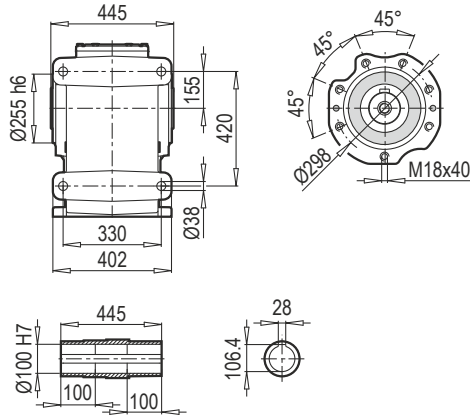
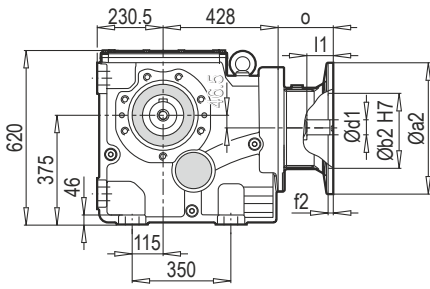
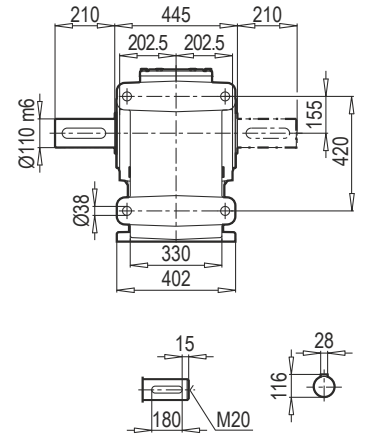


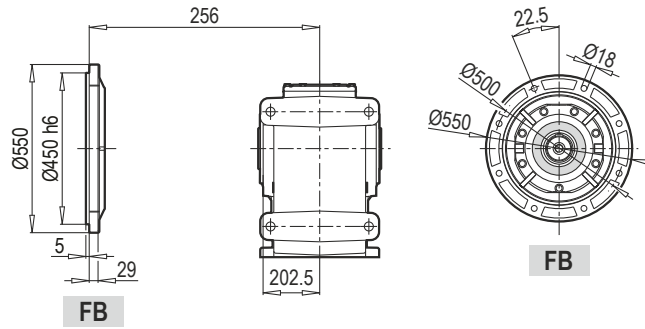
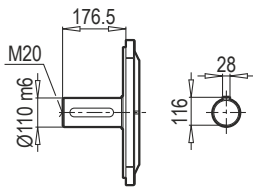
K 100390 PAM B5/B14



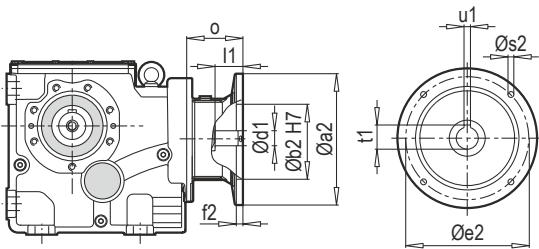
TMA - CMA



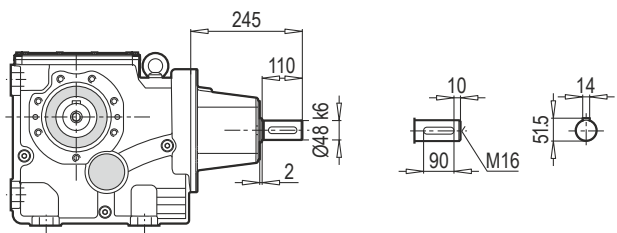
TMA / B5



PAM B5/B14



W



W ~ Kr	
K 100390	460

Редуктор	PAM B5	Øa2	Øb2	Øe2	f2	Øs2	Ød1	l1	t1	u1	o
K 100390	160	350	250	300	7	16	42	112	45.3	12	109
	180	350	250	300	7	16	48	112	51.8	14	109
	200	400	300	350	7	16	55	112	59.3	16	146
	225	450	350	400	7	16	60	142	64.4	18	146
	250	550	450	500	7	16	65	142	69.4	18	175
	280	550	450	500	7	16	75	142	79.9	20	175

~ Kr	
PAM B5	K 100390
160	390
180	390
200	455
225	461
250	480
280	480

Редуктор	i	4 - пол. 50 Гц 1400 об/мин n _д об/мин	M _a макс f _B =1 4 - пол. [Нм]	P ₁ макс W f _B ≥				PAM - IEC							
				4 - пол. 1400 об/мин [кВт]	FR1 [кН]	FR2A [кН]	FR2B [кН]								
K100390 W MM 1 + PAM - IEC MM 1	152.74	9.2	13000	13.86	10.0	80.0	65.0	160	180						
	136.95	10.2	13000	15.46	9.9	80.0	65.0	160	180						
	124.56	11.2	13000	17.00	9.9	80.0	65.0	160	180						
	112.66	12.4	13000	18.80	9.8	80.0	65.0	160	180						
	102.47	13.7	13000	20.66	9.8	80.0	65.0	160	180	200					
	94.85	14.8	13000	22.32	9.7	80.0	65.0	160	180	200					
	86.27	16.2	13000	24.55	9.7	80.0	65.0	160	180	200					
	75.56	18.5	13000	28.02	9.6	80.0	65.0	160	180	200					
	68.72	20.4	13000	30.81	9.5	80.0	65.0	160	180	200	225				
	58.01	24.1	13000	36.50	9.4	80.0	65.0	160	180	200	225	250			
	52.76	26.5	13000	40.13	9.3	80.0	65.0	160	180	200	225	250			
	50.31	27.8	13000	42.09	9.2	80.0	65.0	160	180	200	225	250			
	44.36	31.6	12000	44.06	9.2	78.2	65.0	160	180	200	225	250			
	40.07	34.9	12700	51.63	9.0	73.6	65.0	160	180	200	225	250			
	36.96	37.9	12300	54.21	8.9	71.9	65.0	160	180	200	225	250			
	33.62	41.6	11900	57.65	8.8	69.8	65.0	160	180	200	225	250			
	30.33	46.2	11500	61.76	8.7	67.5	65.0	160	180	200	225	250	280		
	28.27	49.5	10200	58.77	8.8	67.7	65.0	160	180	200	225	250			
	26.01	53.8	11100	69.51	8.5	63.9	63.9	160	180	200	225	250	280		
	23.66	59.2	10500	72.29	8.5	62.4	62.4	160	180	200	225	250	280		
	21.43	65.3	10400	79.05	8.3	60.0	60.0	160	180	200	225	250	280		
	19.61	71.4	10700	88.88	8.0	57.1	57.1	160	180	200	225	250			
	17.69	79.2	10400	95.76	7.9	55.1	55.1	160	180	200	225	250	280		
	16.09	87.0	9900	100.22	7.8	53.7	53.7		180	200	225	250	280		
	15.22	92.0	10000	107.02	7.6	52.3	52.3		180	200	225	250	280		
	13.80	101.5	9600	113.31	7.4	50.8	50.8		180	200	225	250	280		
	12.55	111.6	8800	114.21	7.4	50.1	50.1		180	200	225	250	280		
	11.64	120.3	7700	107.75	7.6	50.4	50.4		180	200	225	250	280		
	10.34	135.4	7900	124.45	7.1	47.6	47.6		180	200	225	250	280		
	8.69	161.0	6800	127.46	7.1	46.1	46.1		180	200	225	250	280		